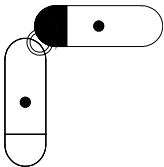
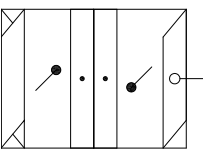
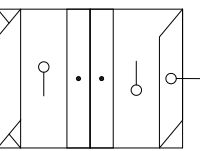
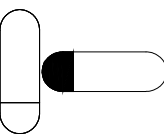
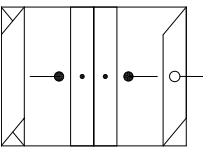
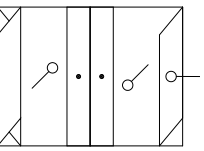
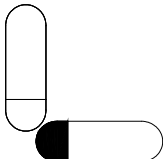
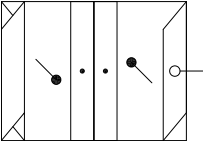
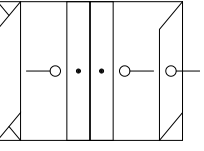
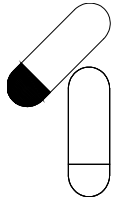
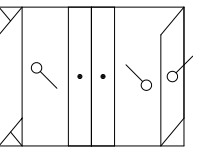
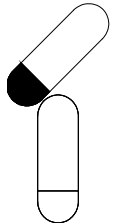
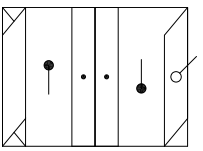
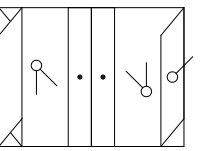
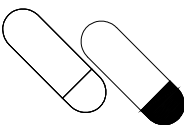
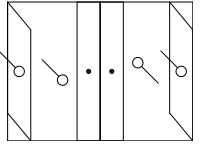


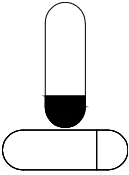
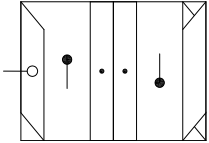
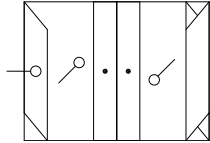
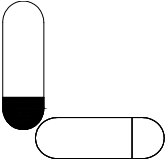
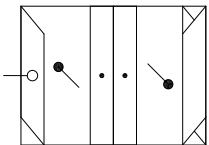
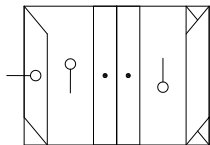
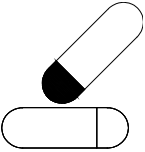
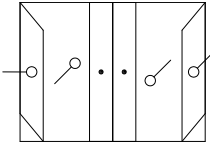
Footprint drawing	Black pin indication	White pin indication
 <p>4a</p>	 <p>4b</p>	 <p>4c</p>

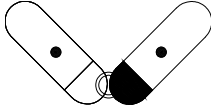
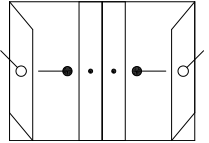
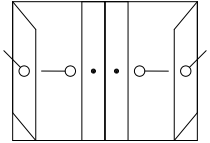
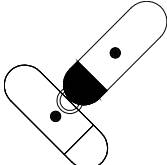
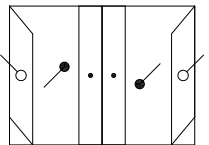
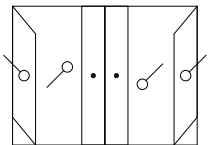
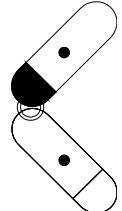
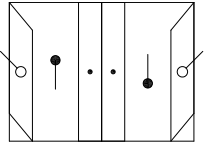
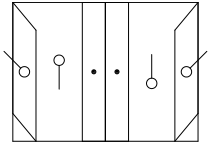
Quiz

Footprint drawing	Black pin indication	White pin indication
 <p>5a (Szentpál 1981 fig.7c)</p>	 <p>5b</p>	 <p>5c</p>
 <p>6a</p>	 <p>6b</p>	 <p>6c</p>

Footprint drawing	Black pin indication	White pin indication
 <p>7a</p>	<p>no simple solution with black pins</p>	 <p>7c (Szentpál 1981 A/2')</p>
 <p>8a</p>	 <p>8b</p>	 <p>8c</p>
 <p>9a</p>	<p>no simple solution with black pins</p>	 <p>9c (Szentpál 1981 fig.7b)</p>

Examples

Footprint drawing	Black pin indication	White pin indication
 <p>10a</p>	 <p>10b</p>	 <p>10c</p>
 <p>11a</p>	 <p>11b</p>	 <p>11c</p>
 <p>12a</p>	<p>no simple solution with black pins</p>	 <p>12c (Szentpál 1981 A/2'')</p>

Footprint drawing	Black pin indication	White pin indication
 <p>1a</p>	 <p>1b</p>	 <p>1c</p>
 <p>2a</p>	 <p>2b</p>	 <p>2c</p>
 <p>3a</p>	 <p>3b</p>	 <p>3c</p>